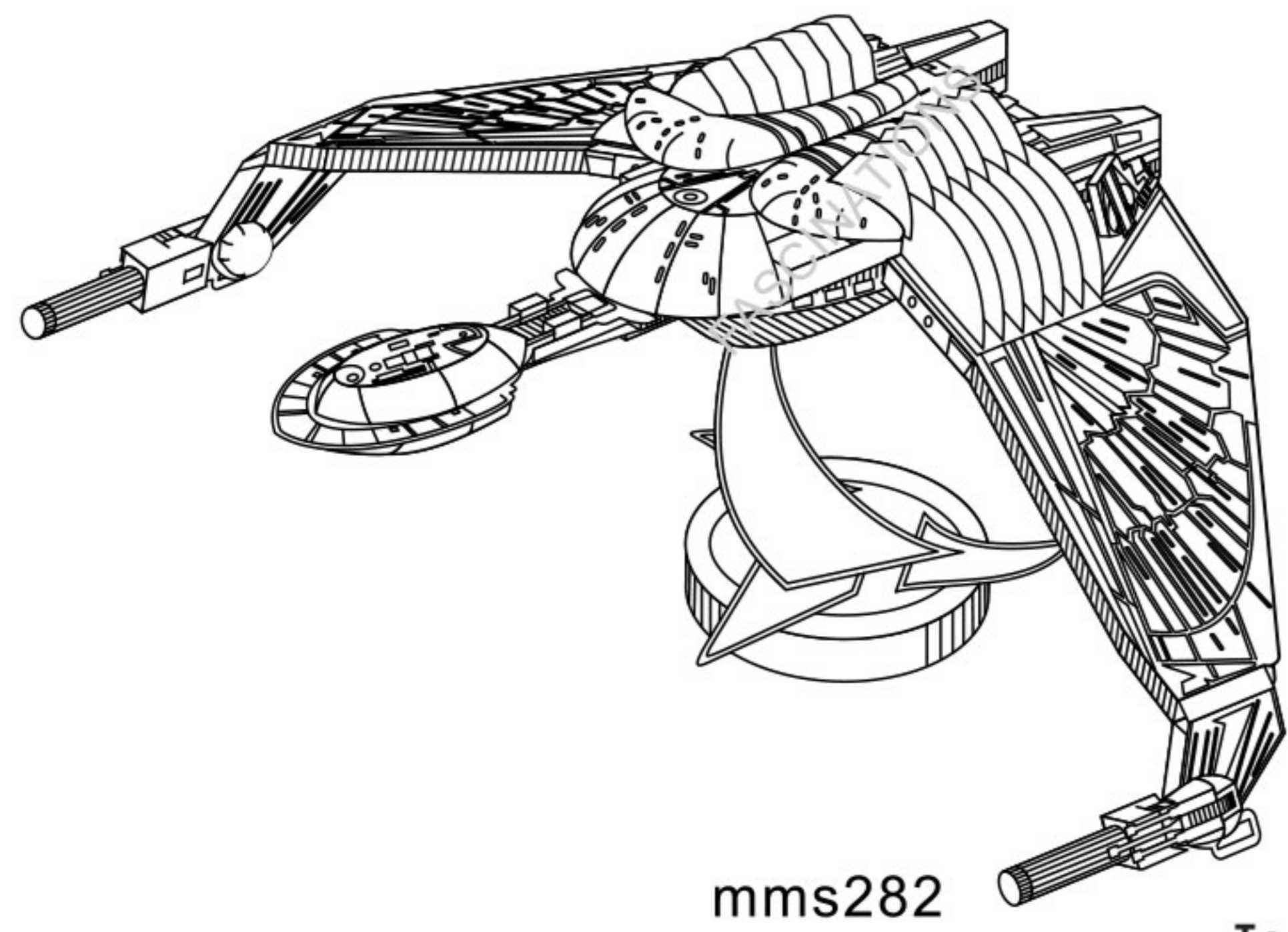


METAL EARTH™

3D LASER CUT MODELS

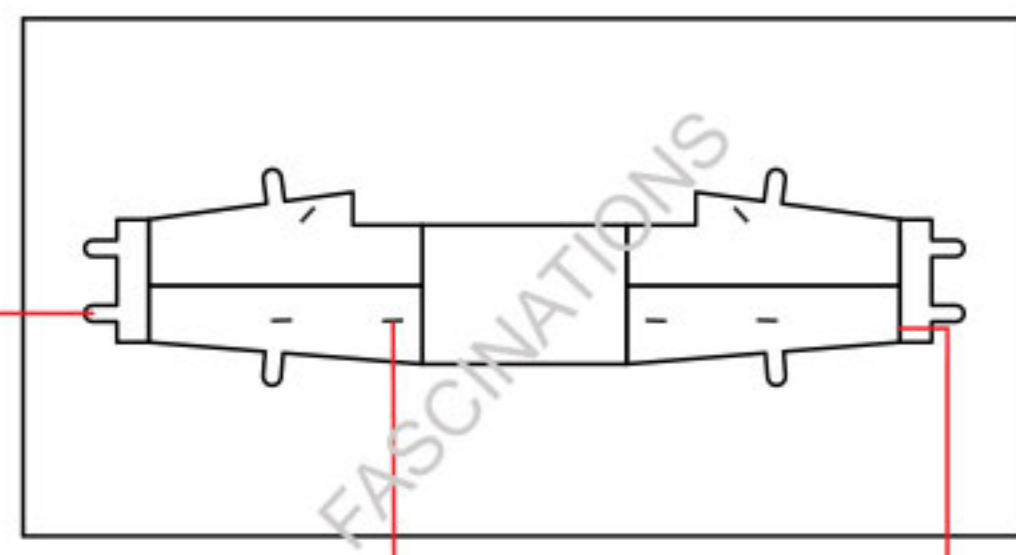


It is highly recommended that you visit www.fascinations.com/metalearth360/mms282 to see the completed model before assembling your own

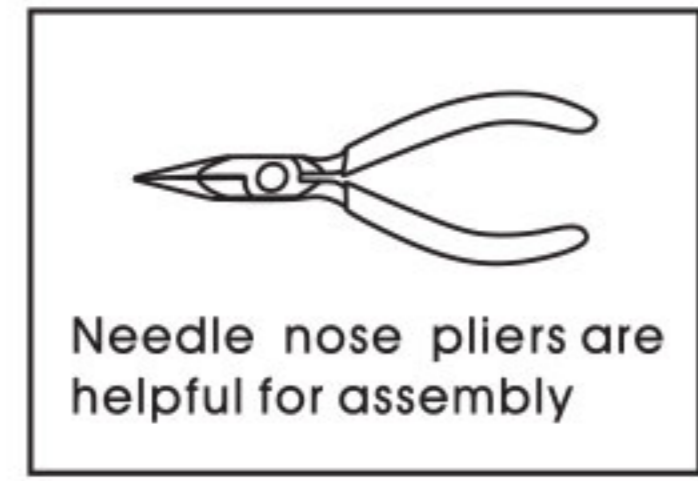


mms282

To create the best connections



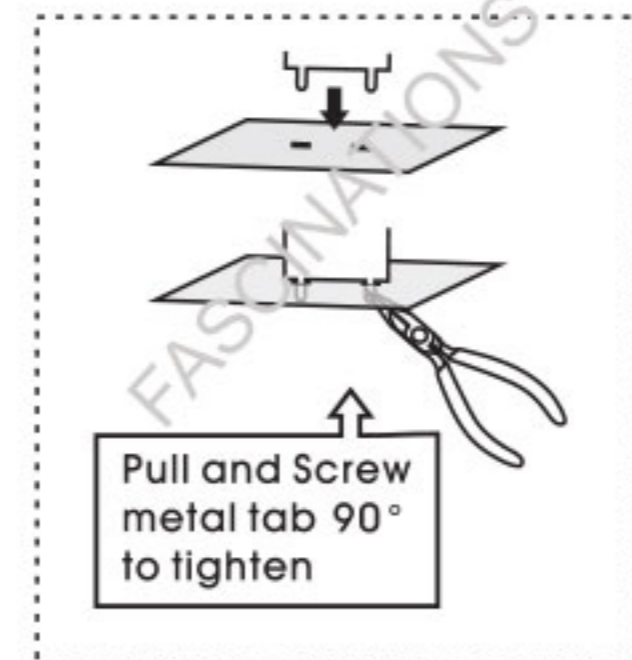
Insertion tabs are inserted and then folded



Needle nose pliers are helpful for assembly

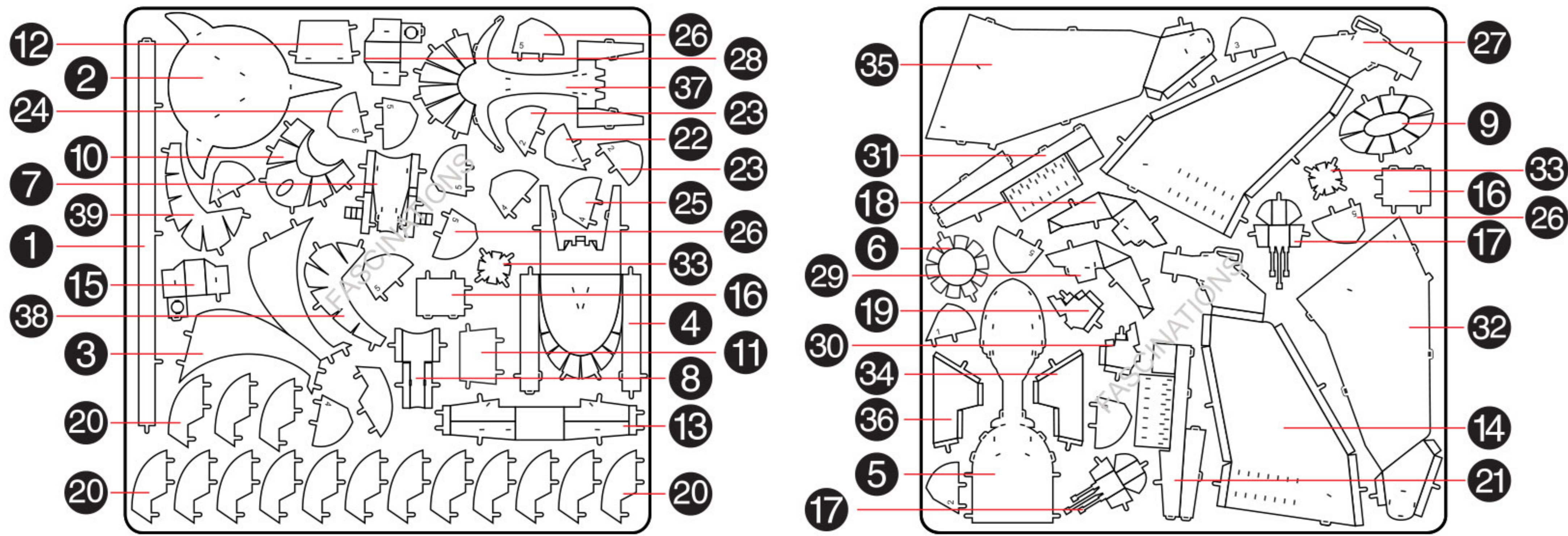
● Insert tab and bend 90° for most visible areas

▲ Insert tab and twist 90 degrees is best in some areas to ensure a tight connection



Pull and Screw metal tab 90° to tighten

Metal sheets



⚠ In order to avoid possible injury from sharp edges, please carefully discard the metal sheet after parts have been removed

Assembly Flow Chart

